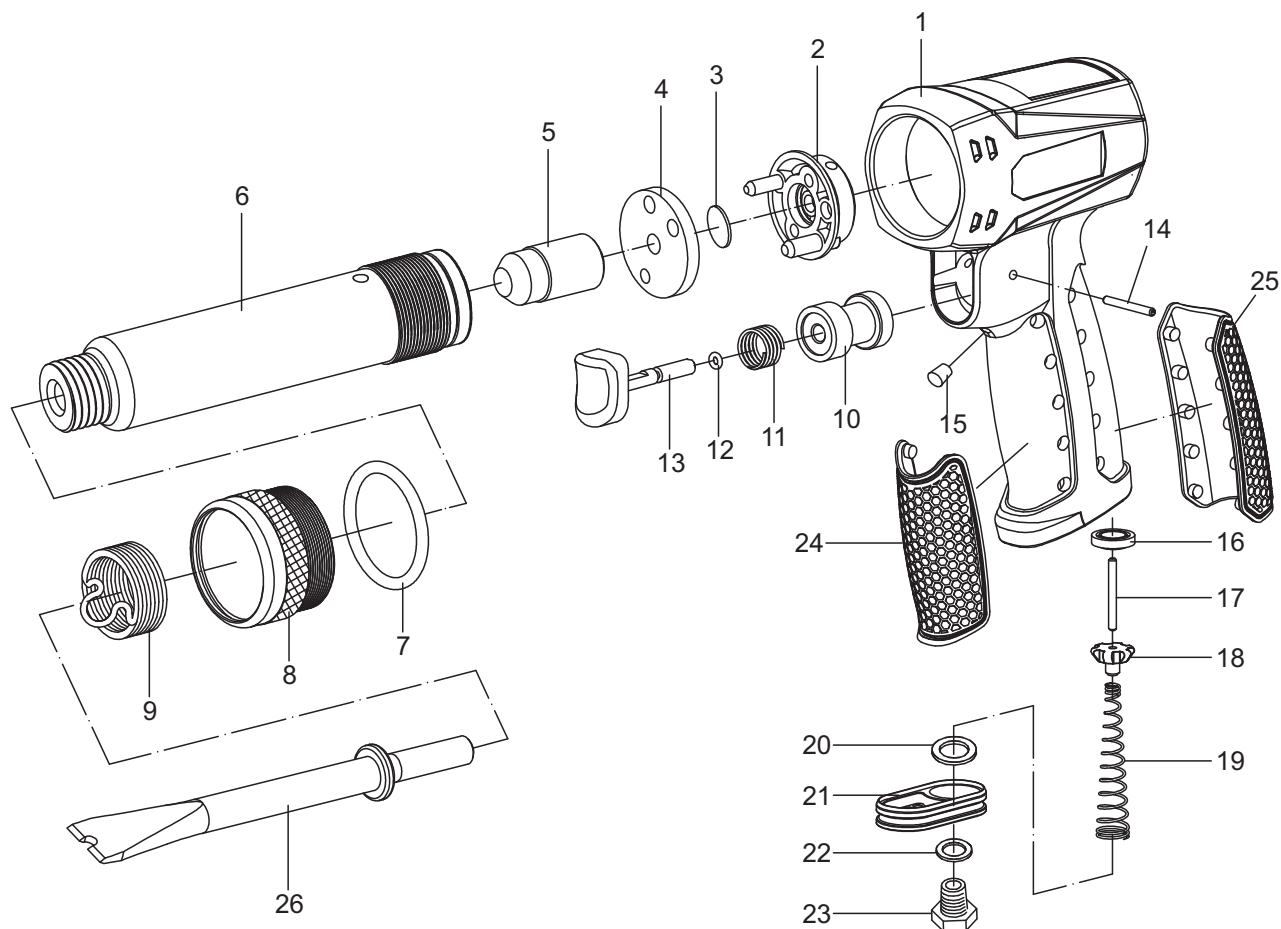


EXPLODED DIAGRAM AND PARTS LIST

190 mm Air Hammer (Round/Hex) (Model: AT-2080NR / AT-2080NH)



Part No.	Description	Qty.
1	Housing	1
2	Valve seat	1
3	Valve	1
4	End cap	1
5	Piston	1
6	Cylinder	1
7	O-ring	1
8	Housing cover	1
9	Spring retainer	1
10	Trigger sleeve	1
11	Spring	1
12	O-ring	1
13	Trigger	1

Part No.	Description	Qty.
14	Set pin	1
15	Plug	1
16	Oil seal	1
17	Pin	1
18	Pin cover	1
19	Spring	1
20	Washer	1
21	Exhaust deflector	1
22	Spacer	1
23	Air inlet	1
24	Soft grip	1
25	Soft grip	1
26	Chisel	5